

Charger Electric HLE

Rugged.... Durable.... Harlan



The popular Harlan Charger 80V AC Electric Model HLE is equipped to handle all your light duty baggage and cargo needs. The low maintenance electric package is designed for easy access to all major components.

This unit can also be utilized for pushback of small aircraft (with pushback option package). Some options include: complete cab assembly, heat/defrost, mirrors, beacons, variety of hitches and suspension style seats.

Standard Features

High Efficiency AC Motor allows for longer duty cycles between charges

AC Pump Motor

Keyless or Keyed master Switch

Two LED Headlights and turn signals

Combination LED Tail/Stop Lights & Back-up Light

Safety kill switch on driver's seat

LCD Dash Gauges

Optional Rear inching button

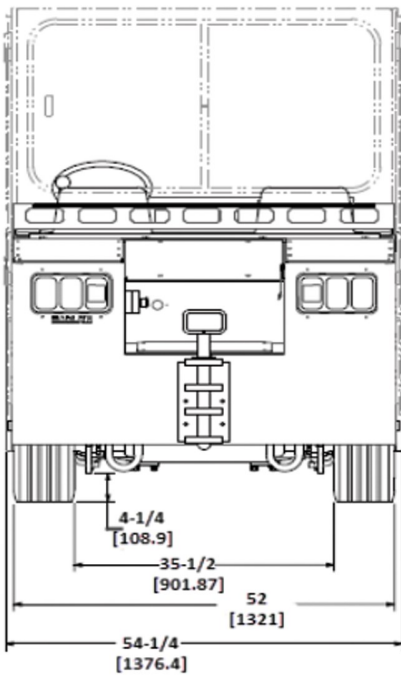
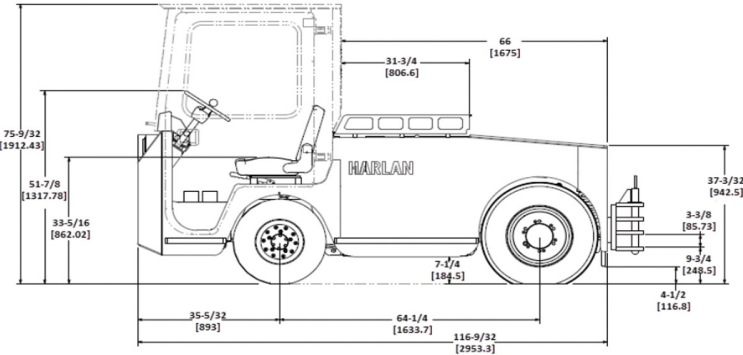
Standard Driver and Passenger seat

Retractable Seatbelts

Rear Mount E-Hitch (other hitch options available)



Specifications



Length

116.28" (2953 mm)
w/ rear hitch: 122" (3099 mm)

Width

52" (1321 mm)
w/ Cab: 54.25 (1376 mm)

Height

52" (1321 mm)
w/ Cab 75.28" (1930 mm)

Wheel Base

64.25" (1632 mm)

Turn Radius (Outside)

135" (3429mm)

Ground Clearance

6" (152 mm)

Integrated Drive Axle

Fully integrated with AC
Induction Motor

Steer Axle

Heavy-Duty Harlan with
1 1/8" Kingpin

Suspension

Front: Leaf spring w/ Shocks
Rear: Coil spring w/ Shocks

Service Brakes

Primary: 4-Wheel Hydraulic
Secondary: Traction motor
braking with regen

Towing Coupler

E-Hitch w/ 1" pin
(other options available)

Tires

Front: 6.50 x 10
Back: 7.00-15

Controller

Curtis Programable

Energy Source

80V lead -acid (500-720
amp/hr) **OR** Lithium-LFP
Battery 400-576 (amp/hr)

Charging Options

- On Board 110-220V charger for Lithium (6kW)
- On Board 110-220V charger for Lead Acid (5kW)
- Standard Charger
- Fast Charger
- EV Interface (used w/ on board charger)

Steering System

Hydrostatic

Park Brake

Electric Linear actuate/
automatic system or push
button activated

Drawbar Pull

	HLE45	HLE50	HLE60
Drawbar Pull	4500 lbs. (20)	5000 lbs. (22.2)	6000 lbs.

Harlan Global Manufacturing, LLC

27 Stanley Rd. Kansas City KS, 66115 USA

913.342.5650 telephone 800.255.4262 toll-free US

913.321.5802 FAX

