

# Classic Cargomaster HT

Rugged.... Durable.... Harlan



The Harlan Classic Cargomaster Model HT is available with the latest tier rated Diesel, Gasoline and LPG engines.

This heavy-duty classic model will last for years! Designed for heavy-duty cargo and for baggage applications, this unit can also be utilized for pushback of small aircraft (with front hitch option package). Some options include complete cab assembly, heat/defrost, mirrors, beacons, variety of hitches and suspension style seats.

## Standard Features

**F-N-R Shifter**

**Keyless anti-restart ignition switch**

**Two LED Headlights**

**Combination LED Tail/Stop lights and Back-up light**

**Volt meter (or engine fault light)**

**Water Temperature Gauge (or engine fault line)**

**Engine Oil Pressure Gauge (or engine fault light)**

**Engine Hour Meter**

**Fuel level Gauge**

**Standard Driver and Passenger seat**

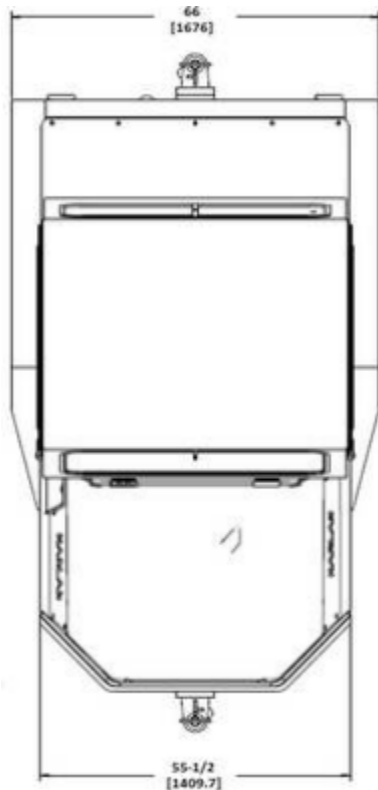
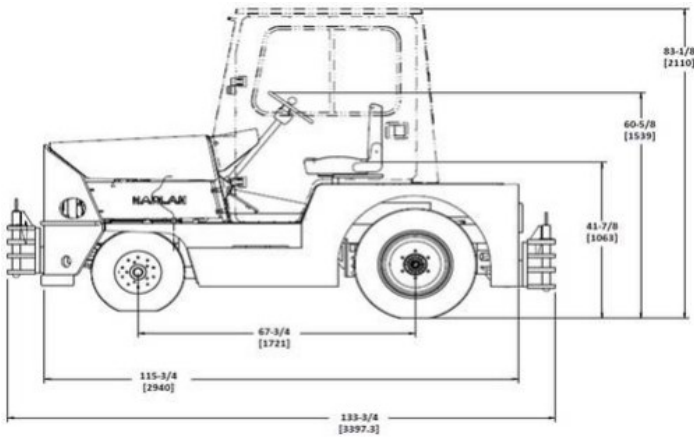
**Retractable Seatbelts**

**Rear mount three-tier hitch (other hitch options Available)**



**HARLAN**  **GLOBAL**

# Specifications



## Length

115.75" (2941 mm)  
w/ front and rear hitch:  
133.75" (3397.3 mm)

## Width

66" (1676 mm)

## Height

61" (1549 mm)  
w/ Cab 83" (2108 mm)

## Wheel Base

67.75" (1721 mm)

## Ground Clearance

7" (178 mm)

## Drive Axle

Heavy-Duty Harlan—8200 lbs.  
(3719 kg) Load Capacity

## Steer Axle

Heavy-Duty Harlan with  
1 1/8" Kingpin

## Suspension

**Front and Rear:** Leaf Springs

## Service Brakes

Hydraulic/ Hydraulic, dual rear  
disk with optional front brakes

## Towing Coupler

Three-tier Hitch with 1 3/4" pin  
(other hitch options available)

## Tires

**Front:** 6.50 x 10

**Back:** LT215/85R x16

## Engine

Latest Model US/Euro Emission  
Diesel, Gasoline LPG

## Transmission

Automatic Industrial

## Electrical

12V System

## Cooling

Liquid cooled radiator with  
Integrated transmission cooler

## Steering System

Power Assist or Hydrostatic

## Park Brake

Mechanical drum, level  
activated

## Drawbar Pull

	HT80	HT40
Drawbar Pull (DBP)	8000 lbs. (35.6 kN)	10000 lbs. (44.5 kN)

## Harlan Global Manufacturing, LLC

27 Stanley Rd. Kansas City KS, 66115 USA

913.342.5650 telephone 800.255.4262 toll-free US

913.321.5802 FAX

