

TRANS-CON-e Model HTSBEL

Rugged.... Durable.... Harlan



Standard Features

High Efficiency AC Motor allows for longer duty cycles between charges

AC Pump Motor

Keyless or Keyed master Switch

Two LED Headlights and turn signals

Combination LED Tail/Stop Lights & Back-up Light

Safety kill switch on driver's seat

LCD Dash Gauges

Optional Rear inching button

Standard Driver and Passenger seat

Retractable Seatbelts

Rear Mount E-Hitch (other hitch options available)

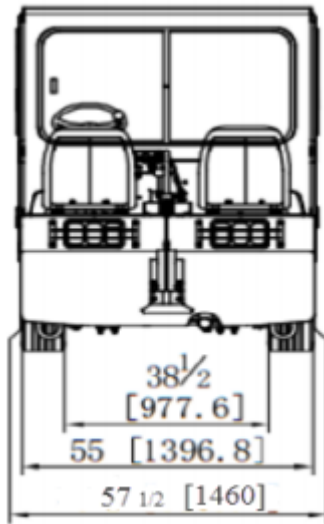
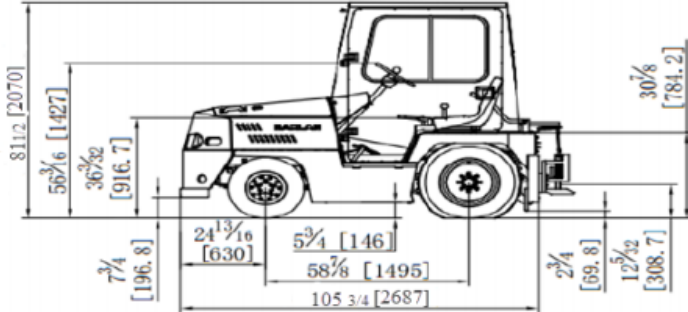
The Harlan Model HTSBEL has been developed, tested and used to meet the demands of the growing market for Lithium powered electric vehicles.

This popular electric package in the classic baggage/cargo tractor frame has a rugged and sleek design. Excellent for heavy-duty cargo and for baggage applications, this unit can also be utilized for pushback of small aircraft (with front hitch option package). Some options include complete cab assembly, heat/defrost, mirrors, beacons, variety of hitches and suspension style seats.



HARLAN  **GLOBAL**

Specifications



Length

105.75" (2687 mm)
w/ rear hitch: 113" (2891 mm)

Width

57.5" (1460 mm)

Height:

56.5" (1435 MM)
w/ Cab 81.5" (2070 mm)

Wheel Base

58 7/8" (1495 mm)

Ground Clearance

6" (152 mm)

Integrated Drive Axle

Fully integrated with AC
Induction Motor

Steer Axle

Heavy-Duty Dual Shaft with two
tapered roller bearings

Suspension

Front: Leaf spring

Rear: Coil spring w/ Shocks

Service Brakes

Primary: 4-Wheel Hydraulic

Secondary: Traction motor
braking with regen

Towing Coupler

E-Hitch w/ 1" pin
(other options available)

Tires

Front: 165 x R13

Back: LT225/75Rx16

Controller

Curtis Programable

Energy Source

400 to 576 amp/hr Lithium-Ion
Battery pack

Charging Options

- On Board 220V -40 amp charger(6/6kW)
- Fast Charger set-up
- EV Interface (used w/ on board charger)

Steering System

Hydrostatic

Park Brake

Electric Linear actuated/
automatic system or Push button
activated

Drawbar Pull

	HTSBEL40	HTSBEL50	HTSBEL60
Drawbar Pull	4000 lbs. (17.8)	5000 lbs.	6000 lbs. (26.7)

Harlan Global Manufacturing, LLC

27 Stanley Rd. Kansas City KS, 66115 USA

913.342.5650 telephone 800.255.4262 toll-free US

913.321.5802 FAX

