

Trans-Con Model HTSB

Rugged.... Durable.... Harlan



The Harlan Model HTSB is available with the latest model US/Euro Emission compliant engines. This compact, shorter wheelbase, low profile design is robust with excellent all around visibility.

Designed for cargo and baggage applications, this unit can also be utilized for pushback of small aircraft (with front hitch option package). Some options include complete cab assembly, heat/defrost, mirrors, beacons, variety of hitches and suspension style seats

Standard Features

F-N-R Shifter

Keyless anti-restart ignition switch

Two LED Headlights

Combination LED Tail/Stop lights and Back-up light

Volt meter (or engine fault light)

Water Temperature Gauge (or engine fault line)

Engine Oil Pressure Gauge (or engine fault light)

Engine Hour Meter

Fuel level Gauge

Standard Driver and Passenger seat

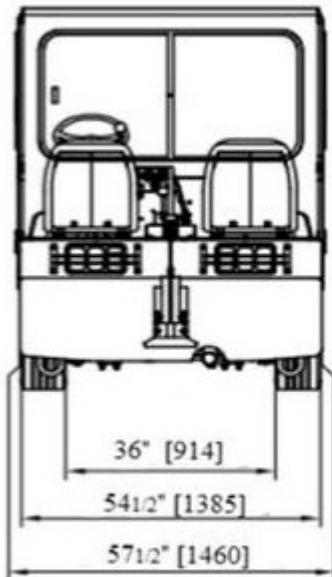
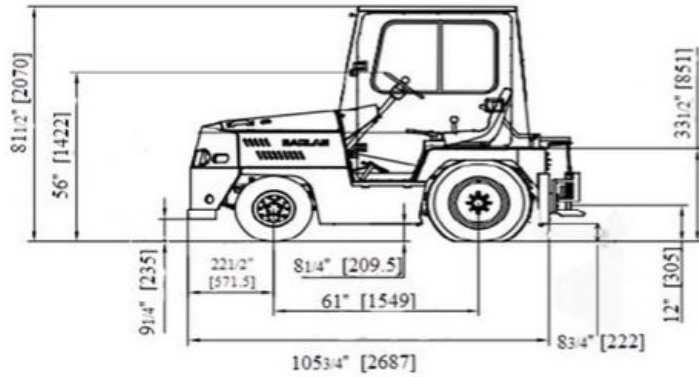
Retractable Seatbelts

Rear mount E-hitch (other hitch options Available)



HARLAN  **GLOBAL**

Specifications



Length

105.75" (2687mm)
w/ rear hitch: 113" (2891 mm)

Width

57.5" (1460 mm)

Height

56.5" (1435 mm)
w/ Cab 81.5" (2070 mm)

Wheel Base

61" (1549 mm)

Ground Clearance

8" (203mm)

Drive Axle

Harlan Off-set—6000 lbs.
(2722 kg) Load Capacity

Steer Axle

Heavy-Duty Harlan Dual Shaft

Suspension

Front: Leaf Springs
Rear: Shocks and Coil Springs

Service Brakes

Hydraulic/ Hydraulic, Front
and rear single disc brakes

Towing Coupler

E-Hitch with 1" pin (other hitch
options available)

Tires

Front: 165/R13
Back: LT225/75R16

Engine

Latest Model US/Euro Emission
Diesel, Gasoline LPG

Transmission

Automatic Industrial

Electrical

12V System

Cooling

Liquid cooled radiator with
Integrated transmission cooler

Steering System

Hydrostatic

Park Brake

Mechanical drum, level
activated

Drawbar Pull

	HTSB40	HTSB50	HTSB60
Drawbar Pull (DBP)	4000 lbs. (17.8 kN)	5000 lbs. (22.2 kN)	6000 lbs. (26.7 kN)

Harlan Global Manufacturing, LLC

27 Stanley Rd. Kansas City KS, 66115 USA

913.342.5650 telephone 800.255.4262 toll-free US

913.321.5802 FAX

