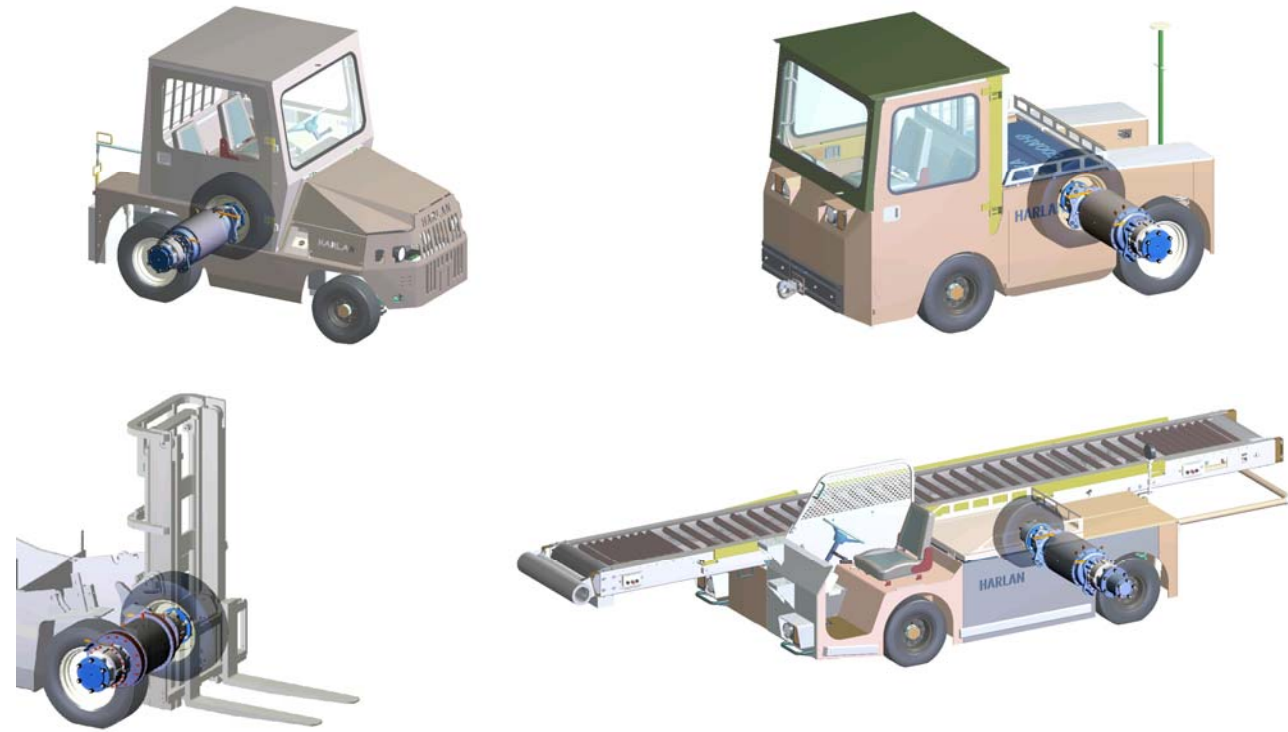


Harlan Electric Vehicles



Harlan Global Manufacturing builds specialized vehicles and vehicle conversions to customers' specifications. For special needs, call Harlan Global Manufacturing, 800-255-4262

Harlan Global Manufacturing
27 Stanley Road
Kansas City, KS 66115
USA

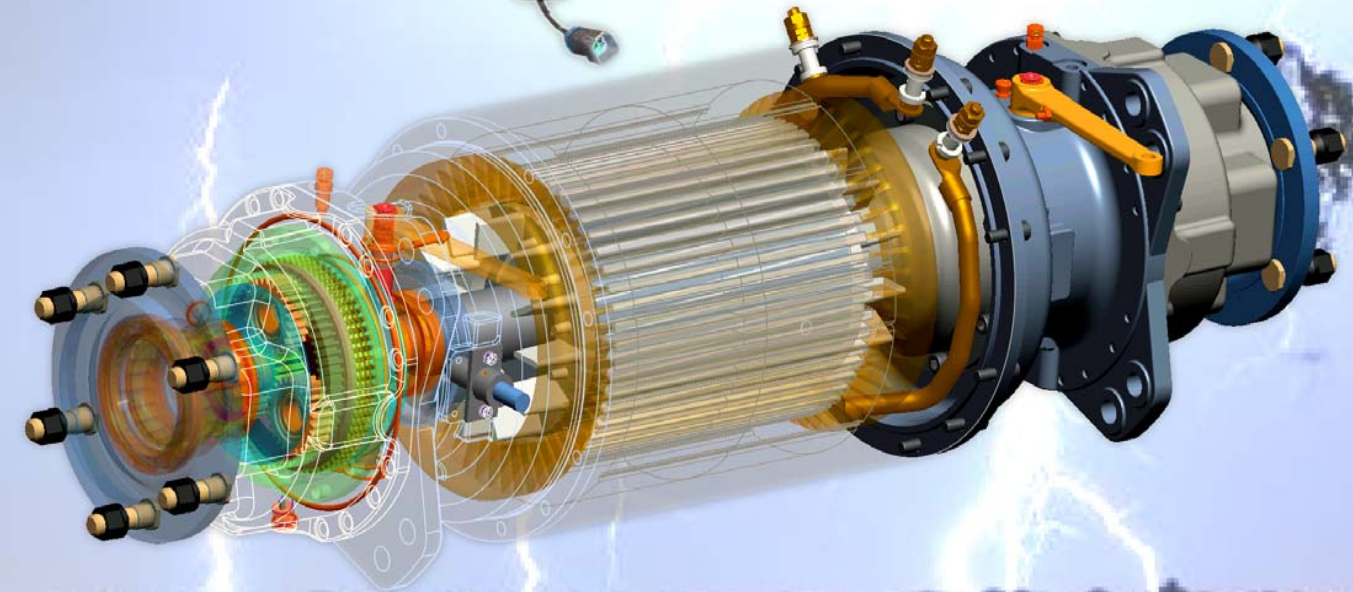
913 342-5650 or 800 255-4642
Fax 913 321-5802
www.harlan-corp.com



ISO 9001:2008 FM 559038



Asynchronous Motor Drive Axle

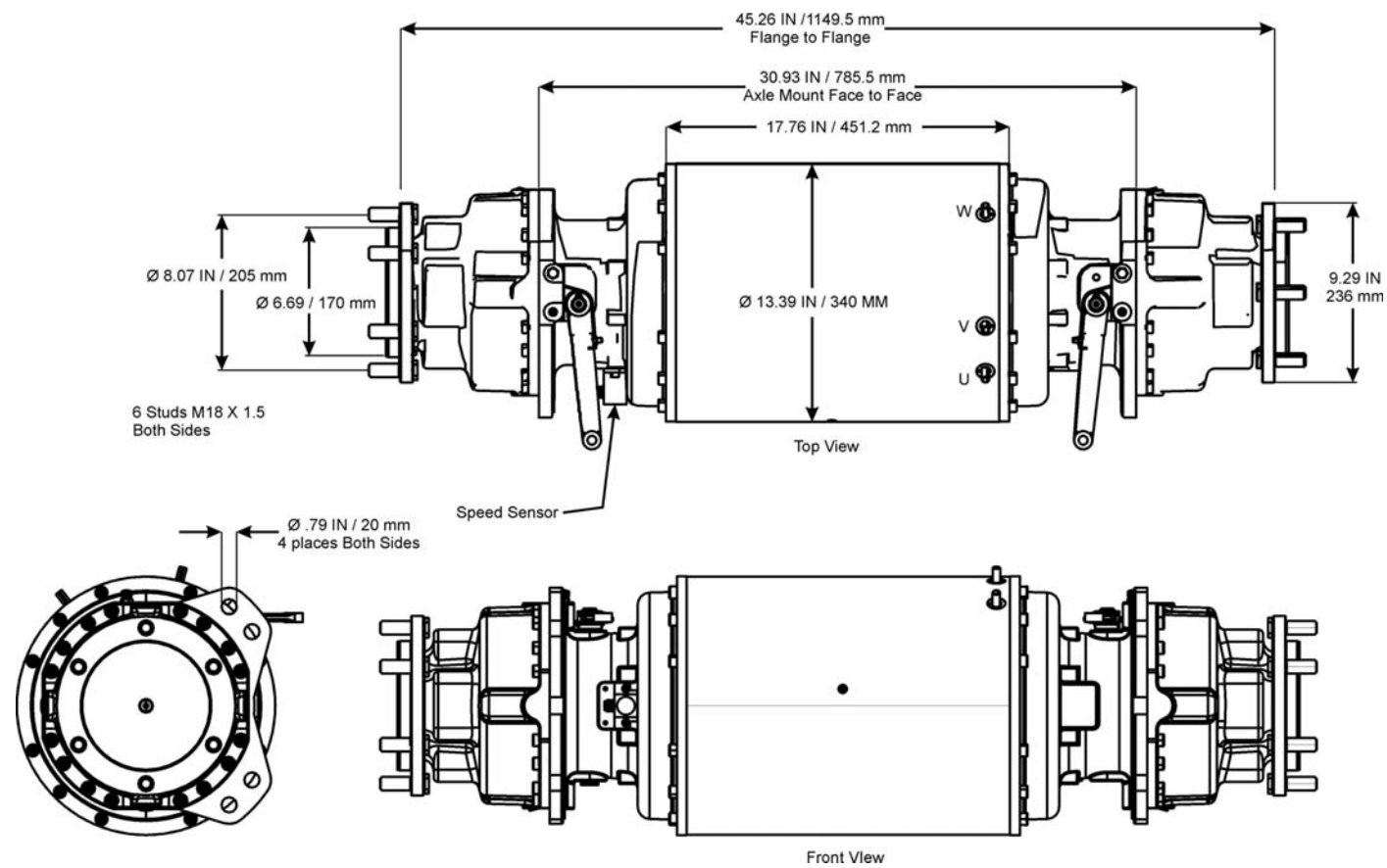


- *Eco-friendly: A 64KWH charge does the work of 15 Gal / 57L of Diesel fuel*
- *Low operating cost: \$3 per charge vs. \$60 for Diesel fuel*
- *Low Maintenance*
- *High Load Capability*

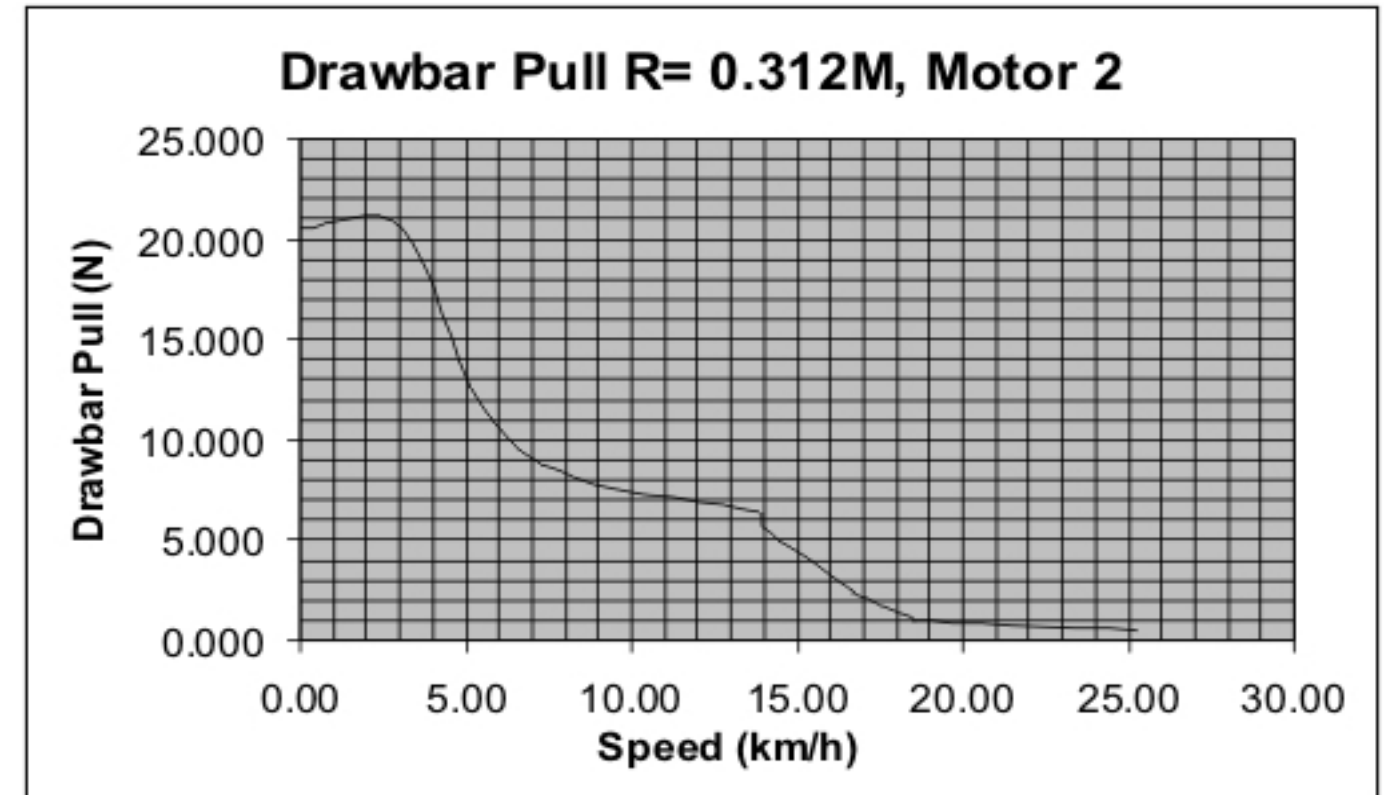
Technical Specifications

Axle 8062.04 Drawbar Pull with AC Motor 2

Tow Tractor Weight :	3401 kg / 7500 lbs	Axle Ratio :	18.31: 1
Axle Load, Static:	1850 kg / 4,000 lbs	Axle Efficiency	0.90
Maximum Motor Torque	1057 NM / 283 Lb. Ft	Maximum Speed	4500 RPM
Tire Size, Rear Axle :	215/75 R15	Battery :	80 Volt
Wheel Radius :	0.312 m / 12.3 inch	Total Amps :	650-800 Ah
Rolling Resistant :	1.50%	Efficiency	0.90
Service Brake	Wet, Dual Multi-Disc	Maximum Brake Torque	287 NM / 212 Lb. Ft
Park Brake	Mechanical Lever Arm		



Drawbar Pull vs. Towing Speed



Performance

	Load Stage	Trailer Weight kg / lbs	Speed km/h / mph	Slope % grade	Drawbar Pull N / lbs
1	Flat Travel	0	28,96 / 18	0	434 / 97.5
2	Flat Travel	3.632 / 8000	21,14 / 15	0	969 / 217.5
3	Flat Travel	4.540 / 10000	21,14 / 15	0	1102 / 247.5
4	Flat Travel	13.620 / 30000	19,31 / 12	0	2438 / 547.5
5	Slope	3.632 / 8000	19,31 / 12	2	2260 / 507.5
6	Ramp	3.632 / 8000	16,09 / 10	7	5489 / 1233
7	Ramp	4.540 / 10000	16,09 / 10	7	6246 / 1403
8*	Ramp	4.540 / 10000	9 / 5,59	10	8407 / 1888
9*	Ramp	4.540 / 10000	6 / 3,73	15	11986 / 2691